

# Product Specification

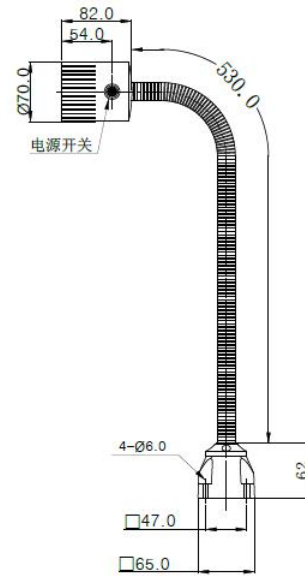
Product Name : LED Machine Light

Model No. : M3W Series

Date : \_\_\_\_\_

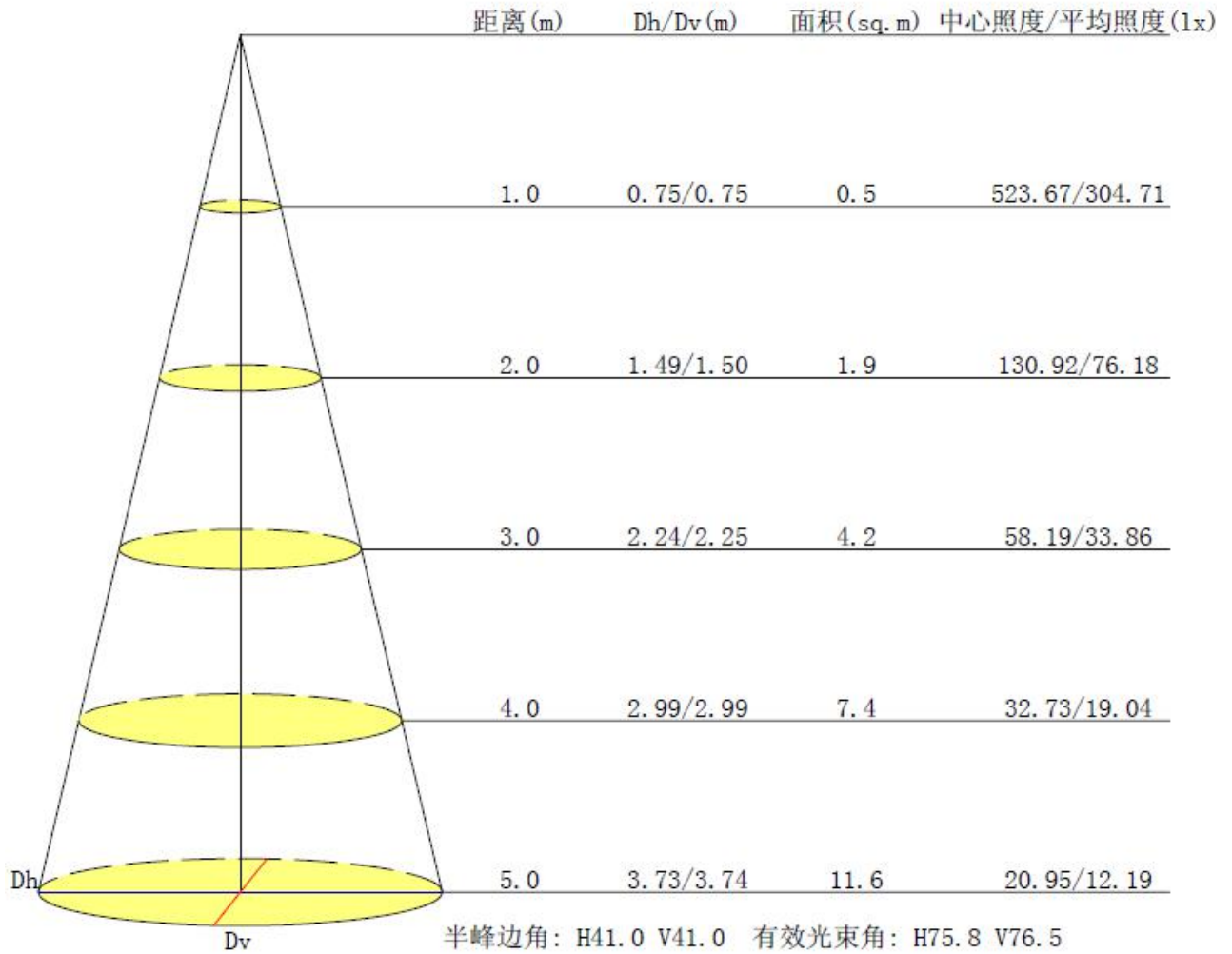


## 1. Image and drawing

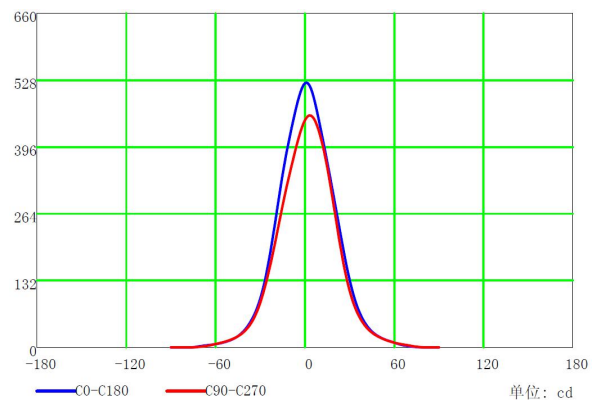
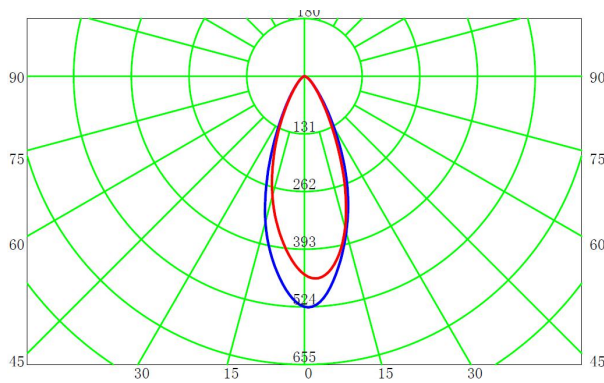


Mode No.	Input Volt	Output Volt	CCT
LED-M3W-B1	AC/DC 24V	AC/DC 24±2V	5500-6000K
LED-M3W-B2	AC/DC 24V	AC/DC 24±2V	4000-4500K
LED-M3W-C1	AC220V (50/60Hz)	AC100-240V (50/60Hz)	5500-6000K
LED-M3W-C2	AC220V (50/60Hz)	AC100-240V (50/60Hz)	4000-4500K
Length of Cable	0.75M open wire, without plug. 24v: red/white wire; 100-240v: brown/blue/yellow wire.		
Mounting Method	Fixed by 4pcs 6mm screws		
Consumed Power	4.5W		
Input Current	(24V) 190mA / (220V) 20mA		
Flux	320Lm		
Life span	50 000H	Protection Level	IP65
Luminous Efficiency	72Lm/W	CRI	70Ra
Driver	Isolated	PF	≧ 0.9
Surface temperature	< 60℃	View Angle	60°

## 2. Average Luminance



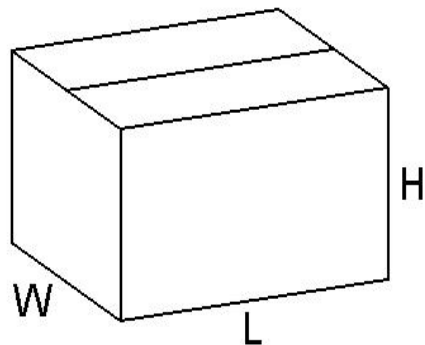
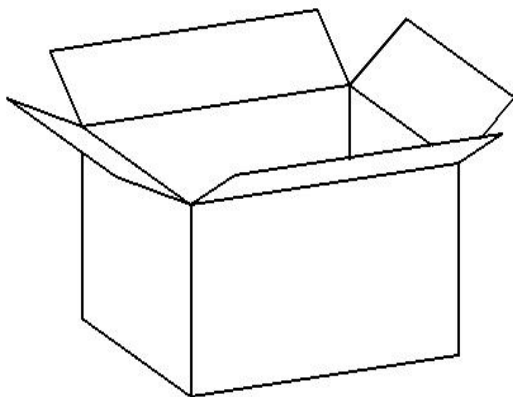
## 3. Photometric Data



---

#### 4. Package Data

<b>Packing material</b>	<b>Carton Box</b>
Model Name (MM)	780
Net Weight / Pc (Kg)	0.785
Gross Weight / Cnt (Kg)	26.4
Packing Qty (PCS)	30
Inner box size (L*W*H) mm	370*200*220
Outer box size (L*W*H) mm	620*380*460



#### 5. Wiring

##### 220V cable



##### 24V cable

